

Warranty Information

1-YEAR LIMITED PRODUCT WARRANTY

This product is covered under a one year limited warranty. Fusion Products Ltd. warrants to the original purchaser that this product is free from defects in materials and workmanship for the period of one year warranty from date of purchase.

For Technical Support and/or Warranty inquiries

please contact:

Fusion Products Ltd.

Monday to Friday

8:30-5:00 PM EST

2905 Argentia Road, Unit 2,3

Mississauga, Ontario L5N 8G6

Tel: 1-877-615-1378 Fax: (905) 812-3256

Email: sales@fusionproducts.ca

FUSION™

LED GALAXY LIGHT



FUSION PRODUCTS LTD.

User Manual for Models: 17414, 17416

Contents

Overview	1
General	1
Warnings	2
Warnings Regarding Electricity	3
Specifications	4
List of Parts.....	4
Getting Started	4
Maintenance.....	4
Assembly & Installation.....	5
Warranty Information	6

Assembly & Installation

1. To attach the stake to the LED projector, first you have to remove the hex screw and washer from the stake with the included allen wrench (Figure 1).

2. Use the same hex screw and washer to attach the stake to the pivot mount using the included allen wrench. Make sure it is solid enough to prevent the light from shaking (Figure 1).

3. Insert the stake in the ground. You may have to try in different locations to obtain the optimal lighting result.

4. You can change the angle of the projection by loosening the screws of the holder and screw them tight after you get the lighting effect you want (Figure 1).

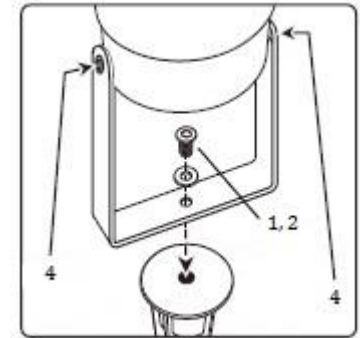
5. Connect the cable of the LED projector with the power supply transformer.

6. Make sure that the voltage supply of the power outlet meets the required voltage (120V).

7. Make sure you lay the cable in such a way to avoid tripping danger.

8. You must verify regularly that the assembly is functional, tight, and not damaged to prevent the defect of the device.

Figure 1



Specifications

- **Operating voltage 6V / 1000 mAh**
- **Input voltage power supply 120V**
- **Cable length power cord 16.4' (5m)**
- **Number of LEDs: 4**
- **Protection: IP54**

List of Parts

1. LED Projector
2. Ground stake with attachment screw
3. Power supply
4. Allen wrench
5. Manual

Getting Started

Please do not throw away any packing material until all parts are verified as present.

Maintenance

Use a soft, dry and lint-free cloth to clean the unit's exterior. If it is extremely dirty you can use a soft cloth, dampened with water or a mild cleaning solution to clean. Never use any abrasive or harsh cleaning agents (e.g. alcohol, petrol or thinners) as these could damage the controls, casing or any markings and labels found on the device.

Overview

This product is designed to the highest technical specifications and standards. It will supply years of maintenance free use. Please read these instructions thoroughly prior to installation, then store in a safe place for future reference. If at any time you are unclear about this product, or require further assistance please do not hesitate to contact our trained professionals operating the customer support line at 1-877-615-1378 Monday to Friday between the hours 8:30 AM to 5:00 PM Eastern Standard Time or email sales@fusionproducts.ca

General

This instruction manual contains important information for the safe use of the product. Please read the manual completely before assembling and using the product. You should keep it for reference in a safe place and if you pass the product on to someone else, please hand over the manual as well.

Failure to follow the instructions and warnings given herewith may result in damage to property or personal injuries for which we will not accept liability and which will void the warranty.

This product is intended to serve as an outdoor light decoration only and is not to be used indoors, and it is not suitable for household lighting or for commercial use. It is rated IP54 for protection, which means it is protected against dust and splashing water but it should not be immersed in water.

WARNINGS:

For your own safety, you must read all the warnings and abide by them before assembling and using the spot light.

- Children should not be handling this product and should not be left around the product without supervision. Inappropriate handling may lead to injuries or material damage.
- Discard the packaging material immediately after opening to prevent children from playing with the plastic bags and risk suffocation.
- Risk of eye injuries caused by high light intensity. LED lamps are extremely bright. You must never look directly into the light as this may cause permanent damage to your eyes.
- Never point the LED light directly at other people or animals.
- Epilepsy advice: People suffering from photo-sensitive epilepsy, are susceptible to epileptic seizures or loss of consciousness if exposed to flashing lights or light patterns. If symptoms such as dizziness, blurred vision, eye or muscle twitching, loss of awareness, disorientation, any involuntary movement or convulsion should occur, switch off the light immediately and take the person away.
- Misuse of the product may cause damage.
- The product must not be used while inside the package.
- Do not hang any objects on the product or do not cover it with any object.
- The LEDs in this product cannot be exchanged and are not dimmable.
- Keep this product away from direct water, dampness and high humidity or away from containers of liquids.
- If the product is brought in from the cold to a warm area (e.g. during transportation), condensation may occur within the unit. Let the device reach ambient temperature before using it.
- The product may not be subjected to extreme heat or cold.
- Do not expose the product to intense sunlight, open fire or other heat sources.
- Operating temperature: Between -20°C and +30°C
- This product should not be placed on a surface that could be damaged without suitable protection.

WARNINGS REGARDING ELECTRICITY

- DO NOT attempt to open the protective housing or operate the device if the aperture windows are damaged. If the unit requires service that involves removing the protective housing, contact the manufacturer. Opening the protective housing voids the warranty.
- Use only three-wire outdoor extension cords that have three-prong grounded plugs, plugged into grounded outlets. Acceptable extension cord types: SW, SW-A, SOW, SOW-A, STW, STW-A, STOW, STOW-A, SJW, SJW-A, SJOW, SJOW-A, SJTW, SJTW-A, SJTOW, SJTOW-A.
- Ground Fault Circuit Interrupter (GFCI) protection is to be provided on the circuit(s) or outlet(s) to be used while operating the LED Galaxy Light in a wet location. Receptacles with built-in GFCI protection are available for this purpose.
- Danger of electrical shock.
- This appliance should only be opened or repaired by an expert or a person who is qualified to do so. Only original spare parts may be used.
- This product must not be electrically connected with other products.
- Never touch the plug with wet hands.
- When you want to unplug the appliance, take the plug out of the socket by grasping the plug and pulling it directly. Never pull on the cable.
- Cables must never be crushed, folded over, damaged by sharp edges or subjected to any other kind of mechanical stress.
- Avoid exposing cables to excessive heat or cold.
- If the cable connected to the product is damaged, stop using it and have it repaired by a qualified person.
- For safety reasons always unplug the product when there is a thunderstorm.
- Always unplug the product during installation and cleaning, and when the product is not in use.