

Specifications

Laser Classification	Class IIIa
Maximum Laser Power	(Single Beam) Less than 5mW
Laser Wavelength(s)	532nm (Green) / 650nm (Red)
Laser Diode Life	More than 5000 hours
Power Consumption	Up to 5 watts
Power Input	120VAC (when used with supplied transformer)
Operating Temperature	-20°C to +30°C
Projection Coverage	25ft x 25ft.
Maintenance	Maintenance Free. No user serviceable parts.
Remote Battery	23A (Included)
Cable length power cord	20ft.

Maintenance

Use a soft, dry and lint-free cloth to clean the unit's exterior. If it is extremely dirty you can use a soft cloth, dampened with water or a mild cleaning solution to clean. Never use any abrasive or harsh cleaning agents (e.g. alcohol, petrol or thinners) as these could damage the controls, casing or any markings and labels found on the device.

Warranty Information

1-YEAR LIMITED PRODUCT WARRANTY

This product is covered under a one year limited warranty. Fusion Products Ltd. warrants to the original purchaser that this product is free from defects in materials and workmanship for the period of one year warranty from date of purchase.

For Technical Support and/or Warranty inquiries please contact:

Fusion Products Ltd.

Monday to Friday
8:30-5:00 PM EST

2905 Argentia Road, Unit 2,3
Mississauga, Ontario L5N 8G6

Tel: 1-877-615-1378 Fax: (905) 812-3256

Email: sales@fusionproducts.ca

FUSION™

7-in-1 LASER GALAXY LIGHT WITH REMOTE



FUSION PRODUCTS LTD.

Model No. 17413

Contents

Overview	(below)
General	(below)
Precautions for Laser Usage	1
Warnings	1-2
Warnings Regarding Electricity	2
Notes	3
List of Parts	4
Getting Started.....	4
Assembly and Installation	4-5
Operation (Remote)	5
Specifications	6
Maintenance	6
Warranty Information	6

Overview

This product is designed to the highest technical specifications and standards. It will supply years of maintenance free use. Please read these instructions thoroughly prior to installation, then store in a safe place for future reference. If at any time you are unclear about this product, or require further assistance please do not hesitate to contact our trained professionals operating the customer support line at 1-877-615-1378 Monday to Friday between the hours 8:30 AM to 5:00 PM Eastern Standard Time or email sales@fusionproducts.ca

General

This instruction manual contains important information for the safe use of the product. Please read the manual completely before assembling and using the product. You should keep it for reference in a safe place and if you pass the product on to someone else, please hand over the manual as well.

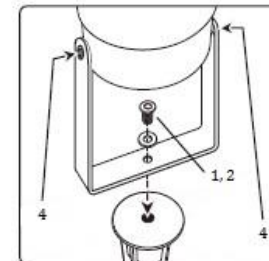
Failure to follow the instructions and warnings given herewith may result in damage to property or personal injuries for which we will not accept liability and which will void the warranty.

This product is intended to serve as an outdoor light decoration only and is not to be used indoors, and it is not suitable for household lighting or for commercial use. It is rated IP54 for protection, which means it is protected against dust and splashing water but it should not be immersed in water.

Assembly & Installation (Con't)

1. To attach the stake to the Laser Galaxy Light, first you have to remove the hex screw and washer from the stake with the included allen wrench (Figure 3).
2. Use the same hex screw and washer to attach the stake to the pivot mount using the included allen wrench. Make sure it is solid enough to prevent the light from shaking (Figure 3).
3. Insert the stake in the ground. You may have to try in different locations to obtain the optimal lighting result.
4. You can change the angle of the projection by loosening the screws of the holder and screw them tight after you get the lighting effect you want (Figure 3).
5. Make sure you lay the cable in such a way to avoid tripping danger.
6. You must verify regularly that the assembly is functional, tight, and not damaged to prevent the defect of the device.

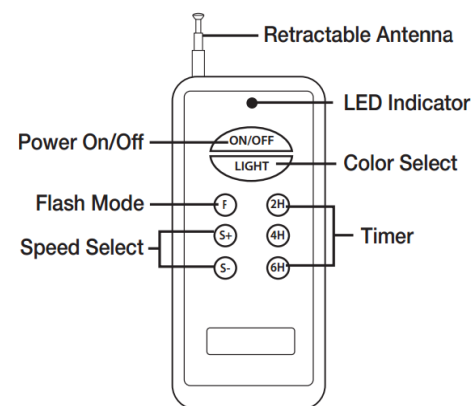
Figure 3



- This product has a polarized plug to reduce the risk of electric shock. It will therefore only fit into a polarized outlet one way. If the plug does not fit, reverse the plug. If it still does not fit, contact a qualified electrician. Do not use with an extension cord unless the plug can be fully inserted. Do not alter the plug.
- Only use supplied transformer connected to a properly grounded outdoor outlet.
- Operate in temperatures of -20°C to +30°C. There may be a slight delay if operating below 13°C. Please allow up to 10 minutes for light to warm up and reach its full projection. Green laser startup time may take up to 30 minutes in temperatures below -10°C.
- If you intend to hang the Laser Galaxy Light, for safety purposes it is recommended to mount using a sturdy hanging clamp and safety cable.

Operation (Remote)

Please note that the remote is for indoor use only and is not weatherproof.



List of Parts

1. Remote
2. Power supply transformer
3. 23A battery
4. Ground stake with attachment screw
5. Allen wrench
6. Light projector
7. Manual



Getting Started

Please do not throw away any packing material until all parts are verified as present.

Assembly & Installation

DO NOT PLUG IN LASER UNIT UNTIL PROMPTED IN THE STEPS BELOW. If you already have, unplug it now and follow the steps below in order. First, install the included 23A battery in the remote (Figure 1). To test the remote's battery connection, press any button and the LED will illuminate for 1 second. If the LED does not illuminate, check to make sure you have installed the battery according to the correct polarity.

Plug the 2-prong adapter into the outlet on the power supply transformer. Screw on the weather-resistant cap tightly to help protect the connection from weather (Figure 2).

SYNCING THE REMOTE: With your remote ready (battery installed) and making sure you are within range of the laser, plug in laser power supply adapter to power source. **Make sure that the voltage supply of the power outlet meets the required voltage (120V).** Within 5 seconds **AFTER plugging the laser in, press the ON/OFF button on your remote to sync it with the laser.** DO NOT press the ON/OFF button at the same time you plug in, it must be done within 5 seconds AFTER plugging in. Occasionally, re-syncing the remote with the laser may be necessary. To re-sync, remove the battery from the remote. Unplug the laser unit from the power source for 1 minute then repeat "Syncing the Remote" steps above. To sync two or more lights to the same remote, unplug them all, then plug them back in at the same time. **AFTER plugging them in, press the ON/OFF button within 5 seconds.** Remove remote battery before long-term storage.

Figure 1

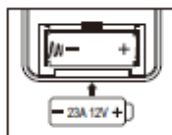
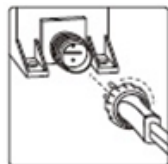


Figure 2



Precautions for Laser Usage

Please check your local laws for outdoor laser usage. Although the Laser Galaxy Light is generally safe when used responsibly, please exercise the following precautions:

- Do not aim or shine at people, animals or traffic from land, sea, or air.
- Use with caution within 5-10 nautical miles of an airport.
- The Laser Galaxy Light should always be stationary, do not hold in hand when operating.
- Position the Laser Galaxy Light so that the lights are within the confines of the target object.
- Do not use near infants/cribs and keep away from children.

CAUTION! Use only as directed. Improper use may result in damage to the eyes due to direct exposure to laser radiation.

This unit is certified as a Class IIIa laser product to the requirements of the U.S. Federal Laser Product Performance Standard (FLPPS) according to regulations in 21 CFR Subchapter J. Class IIIa laser products can be hazardous when directly viewed.

Avoid looking directly into Class IIIa lasers. This product, as well as other demonstration laser products like some laser pointers, are classified as Class IIIa laser energy levels. This product uses diffractive optics to scatter the beam of energy. This scattering effect causes the energy concentration to drop below the exposure limits for momentary or accidental viewing at a relatively short distance for the laser aperture. As with all bright light sources, when you operate this device in public areas it is recommended that up-close access to the light be restricted.

While the Class IIIa laser in the device may be hazardous on its own, it is encased in a protective housing and uses diffractive holographic optics, therefore the laser radiation is not directly exposed to during operation or maintenance. Each individual laser beam is less than 5mW, which is about the same as an average laser pointer.

WARNINGS

For your own safety, you must read all the warnings and abide by them before assembling and using the Laser Galaxy Light.

- Children should not be handling this product and should not be left around the product without supervision. Inappropriate handling may lead to injuries or material damage.
- Discard the packaging material immediately after opening to prevent children from playing with the plastic bags and risk suffocation.
- Epilepsy advice: People suffering from photo-sensitive epilepsy, are susceptible to epileptic seizures or loss of consciousness if exposed to flashing lights or light patterns. If symptoms such as dizziness, blurred vision, eye or muscle twitching, loss of awareness, disorientation, any involuntary movement or convulsion should occur, switch off the light immediately and take the person away.

WARNINGS (Con't)

- Misuse of the product may cause damage.
- The product must not be used while inside the package.
- Do not hang any objects on the product or do not cover it with any object.
- Keep this product away from direct water, dampness and high humidity or away from containers of liquids.
- If the product is brought in from the cold to a warm area (e.g. during transportation), condensation may occur within the unit. Let the device reach ambient temperature before using it.
- The product may not be subjected to extreme heat or cold.
- Do not expose the product to intense sunlight, open fire or other heat sources.
- Operating temperature: Between -20°C and +30°C
- This product should not be placed on a surface that could be damaged without suitable protection.

WARNINGS REGARDING ELECTRICITY

- DO NOT attempt to open the protective housing or operate the device if the aperture windows are damaged. If the unit requires service that involves removing the protective housing, contact the manufacturer. Opening the protective housing voids the warranty.
- Use only three-wire outdoor extension cords that have three-prong grounded plugs, plugged into grounded outlets. Acceptable extension cord types: SW, SW-A, SOW, SOW-A, STW, STW-A, STOW, STOW-A, SJW, SJW-A, SJOW, SJOW-A, SJTW, SJTW-A, SJTOW, SJTOW-A.
- Ground Fault Circuit Interrupter (GFCI) protection is to be provided on the circuit(s) or outlet(s) to be used while operating the Laser Galaxy Light in a wet location. Receptacles with built-in GFCI protection are available for this purpose.
- Danger of electrical shock.
- This appliance should only be opened or repaired by an expert or a person who is qualified to do so. Only original spare parts may be used.
- This product must not be electrically connected with other products.
- Never touch the plug with wet hands.
- When you want to unplug the appliance, take the plug out of the socket by grasping the plug and pulling it directly. Never pull on the cable.
- Cables must never be crushed, folded over, damaged by sharp edges or subjected to any other kind of mechanical stress.
- Avoid exposing cables to excessive heat or cold.
- If the cable connected to the product is damaged, stop using it and have it repaired by a qualified person.
- For safety reasons always unplug the product when there is a thunderstorm.
- Always unplug the product during installation and cleaning, and when the product is not in use.

Notes

This device complies with Part 15 of the FCC Rules. Operation is subject to the following two conditions: (1) this device may not cause interference, and (2) this device must accept any interference received, including interference that may cause undesired operation.

This device complies with Industry Canada License-exempt RSS-2210. Operation is subject to the following two conditions: (1) this device may not cause interference, and (2) this device must accept any interference, including interference that may cause undesired operation of the device.

UNDER NO CIRCUMSTANCE shall attempts be made to open the protective housing or operate the device if the aperture windows are damaged. All service to this laser display device requiring the protective housing to be opened and/or removed shall be performed by a certified service person or authorized agent. There are no user-serviceable parts. Opening the Laser Galaxy Light protective housing voids the warranty.

NOTE: This equipment has been tested and found to comply with the limits for a Class B digital device, pursuant to Part 15 of the FCC Rules. These limits are designed to provide reasonable protection against harmful interference in a residential installation. This equipment generates, uses and can radiate radio frequency energy and, if not installed and used in accordance with the instructions, may cause harmful interference to radio communications.

However, there is no guarantee that interference will not occur in a particular installation. If this equipment does cause harmful interference to radio or television reception, which can be determined by turning the equipment off and on, the user is encouraged to try to correct the interference by one or more of the following measures:

- Reorient or relocate the receiving antenna.
- Increase the distance between the equipment and receiver.
- Connect the equipment into an outlet on a circuit different from that to which the receiver is connected.
- Consult the manufacturer or an experienced radio/TV technician for help.

NOTE: This is a standard cautionary statement from the FCC, which is used to alert the user to troubleshoot in various ways if problems are found.