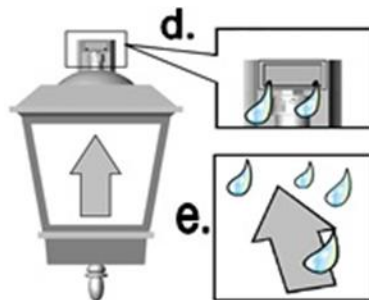
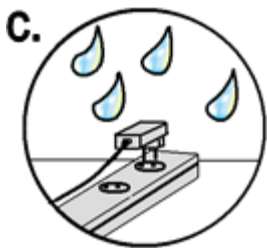
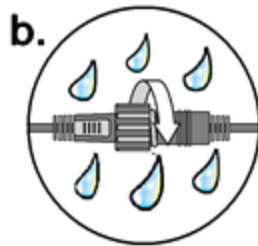


5. Attention for waterproof

If the lamp is used outdoor, please pay special attention:

- a. Please fix the hold-nut at the top of lamp securely, otherwise the waterproof effect will be seriously affected!
- b. All connection points ① and ②, ③ and ④, ⑤ and ⑥, ⑦ and ⑧ must be screwed securely to avoid water and electricity leakage!
- c. The adapter itself is not waterproof, and it is required to ensure that the connecting point between adapter and main power shall be located in indoor place free from rain and snow, so as to avoid the electricity leakage or electric shock risk!
- d. The end of L-shaped support is arranged with drip hole, and please ensure that the hole is unobstructed;
- e. The lamp should be kept vertical and avoid inclined to ensure the waterproof effect.



FUSION™

Snowing Christmas Tree Wall Lantern



FUSION PRODUCTS LTD.

Model # 17370

Table of Contents

Schematic Diagram	1
Component List	1
Assembling Steps.....	2-6

Overview

This product is designed to the highest technical specifications and standards. It will supply years of maintenance free use. Please read these instructions thoroughly prior to installation, then store in a safe place for future reference. If at any time you are unclear about this product, or require further assistance please do not hesitate to contact our trained professionals operating the customer support line at 1-877-615-1378 Monday to Friday between the hours 8:30 AM to 5:00 PM Eastern Standard Time or email sales@fusionproducts.ca

Getting Started

Please do not throw away any packing material until all parts are verified as present.

1-YEAR LIMITED PRODUCT WARRANTY

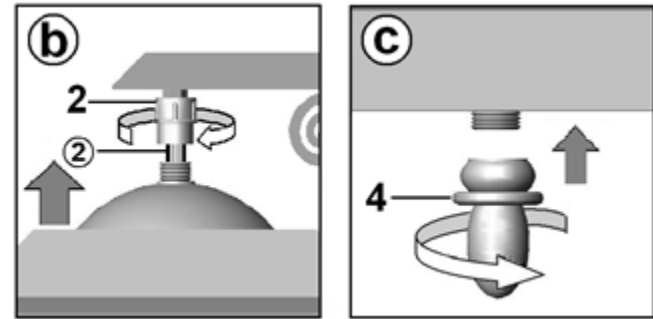
This product is covered under a one year limited warranty. Fusion Products Ltd. warrants to the original purchaser that this product is free from defects in materials and workmanship for the period of one year warranty from date of purchase.

**For Technical Support and/or Warranty Inquiries
please contact: Fusion Products**

Monday to Friday
8:30-5:00PM EST

2905 Argentia Road, Unit 2
Mississauga, Ontario L5N 8G6
Tel: 1-877-615-1378 Tel: (905) 812-9470
Fax: (905) 812-3256
Email: sales@fusionproducts.ca

b. Fix lamp: lift the lamp (3) up so that the upper part of the plug (2) and its wire can enter into the hole of the hold-nut (2), and turn the hold-nut (2) to let it tightly fit the thread of the upper part of the lamp until the lamp and L-shaped support to be fixed as a whole. Meanwhile, adjust the direction of the lamp until it is satisfied. **Note:** **#1.** The hold-nut must be screwed tightly, otherwise, the waterproof effect of lamp holder will be seriously affected! **#2.** The lamp holder is fragile.

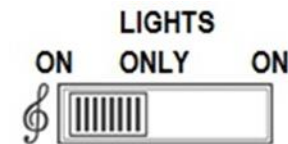


c. Turn the lamp pendant (4) to fix it with the thread under the lamp.

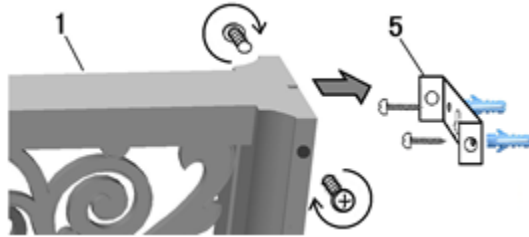
4. Power on and examination

a. Power on: connect the plug (5) of power wire (7) with the socket (8) of adaptor (8). If the power wire (7) is not long enough, add extended wire (9) between those two and connect (5) and (6), (7) and (8) separately. After that, connect the adapter (8) with main power supply.

b. Examination: there is a switch at the bottom of the lamp (3) (see the following figure). Turn on the switch to left side, the lighting twinkling and snow flying can be seen and music can be heard. If the above functions do not display, check whether the foresaid connections are well connected or invite the experienced engineer to check it unit the above functions are realized. You can also turn the switch to right side to turn off the music based on your requirements.

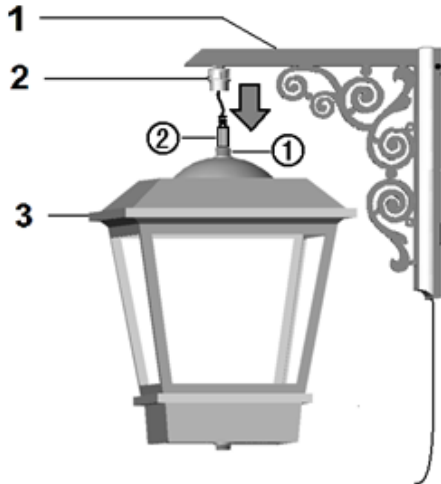


- **Method B:** if the lamp holder is easy to be influence by wind or human activities, it needs to be fastened. It is suggested to use Method B to install L-shaped support (1). The specific method is: drill two circular holes with diameter of X mm and depth Y mm, and use two expansion tubes and grub screws to fix U-shaped fastener (5) on the wall, then use two screws to fix L-shaped support (1) on the U-shaped fastener. But before do this, do not forget to connect plug ④ with socket ③ as shown in the above figure:

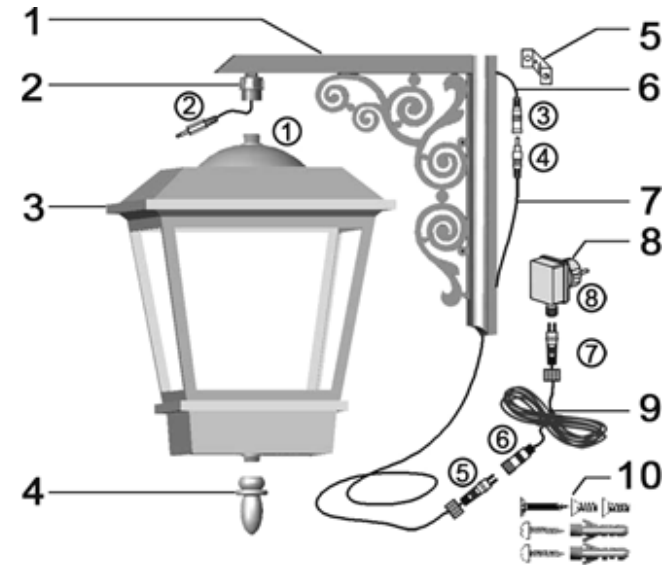


3. Fix the lamp

- Connect power wire to the lamp:** After ensuring the L-shaped support is well suspended on the wall, insert the plug ② of the built-in wire into the socket ① on the top of the lamp (3):



I. Schematic diagram



II. Component List

No.	Name	Quantity
1	L-shape support	1
2	hold-nut	1
3	lamp	1
4	lamp pendant	1
5	U-shaped fastener	1
6	built-in wire	1
7	power wire	1 (3.5m)
8	adapter (12V AC 500mA)	1
9	extended wire	1 (3.5m)
10	iron nail, screw and expansion tube	7
Note	①,②,③,④,⑤,⑥ are wire connectors	

Caution

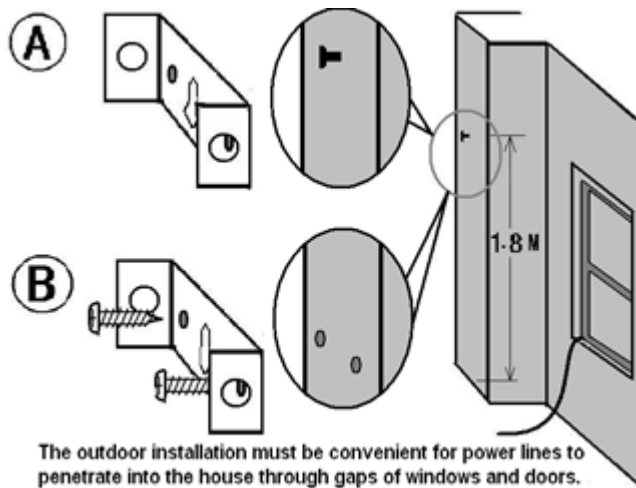
- This product is fragile (especially the lamp), so please do not exert too much strength or drop it during the assembly and use! Also be sure to fix it on the wall securely!
- This product is waterproof; but it is necessary to keep the lamp in the vertical direction to ensure the waterproof effect.
- Please assemble it in strict accordance with the steps and requirements specified in the instruction to ensure safety, reliability and speed during the installation.

III. Assembly process

1. Determine installation site

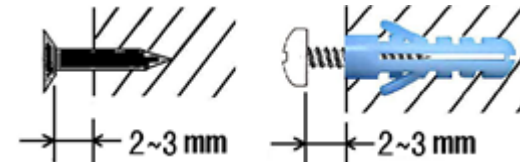
- This product is waterproof, suitable to be installed on the wall of show window or on the wall of indoor and outdoor;
- It is suggested to install at the height of 1.8m from the ground to get the best view angle;

The outdoor installation must be convenient for power wire to penetrate into the house through gaps of windows or doors to avoid the adapter and main power supply to be dampened and cause danger!

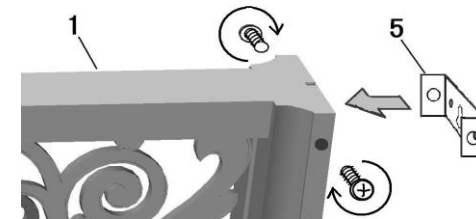


2. Install L-shaped support

- **Method A:** As shown in the above figure. It is to fix the lamp with only one iron nail (if it is not permitted to use iron nail due to the wall materials, change to use screw + expansion tube instead). The advantage of this method is that it can reduce damages on the wall surface, be convenient and practicable for assembly. If there has been an iron nail (or a screw) on the wall already, it only needs to adjust the length slightly. The disadvantage of this method is that the lamp may be swayed by the external force and is not very fixed. Therefore, this method is appropriate for the places where cannot be influenced by the strong wind or human touch. The specific method is: to fix the supplied iron nail (or screw + expansion tube) on the wall surface which shall be 2-3mm away from the cap of the iron nail (or screw) so that the lamp can be suspended on it as shown in the following figure.



Then use two screws to fix U-shaped fastener (5) into L-shaped support (1):



Connect the plug (4) of power wire (7) with the socket (3) of built-in wire (6) and then suspend L-shaped support (1) on the wall.

